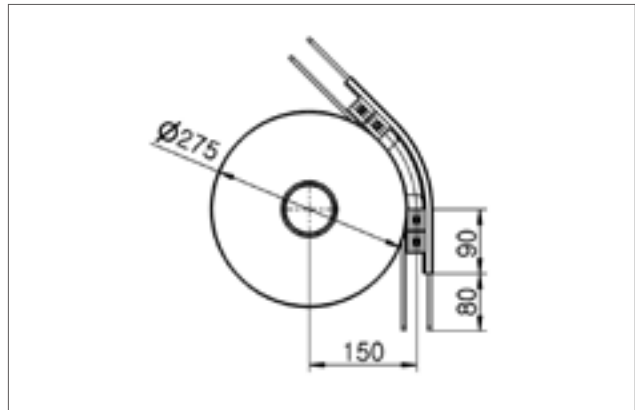
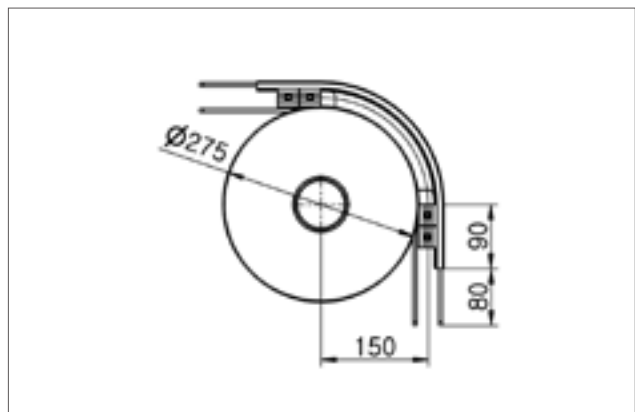


Wheel bend

Reference	Material
HSBH 45R150	Aluminium & P.E



Reference	Material
HSBH 90R150	Aluminium & P.E



Reference	Material
HSBH 180R150	Aluminium & P.E

