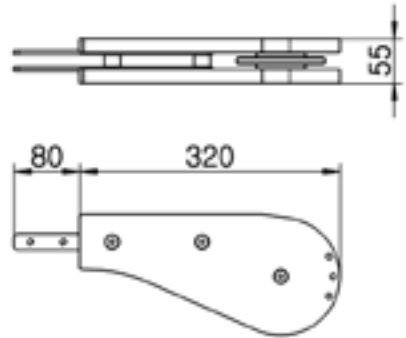


Idler unit



Reference	Material
HSEJ 320	Aluminium & P.E