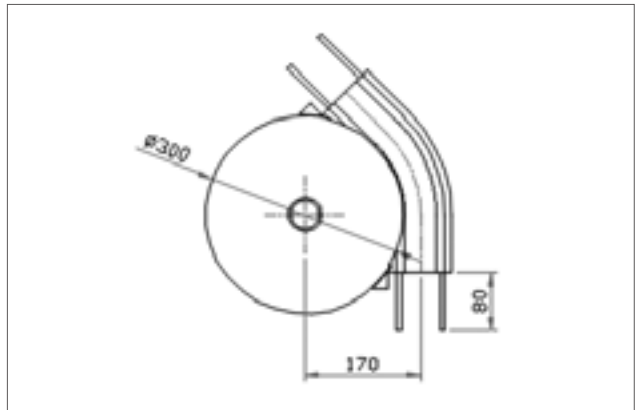
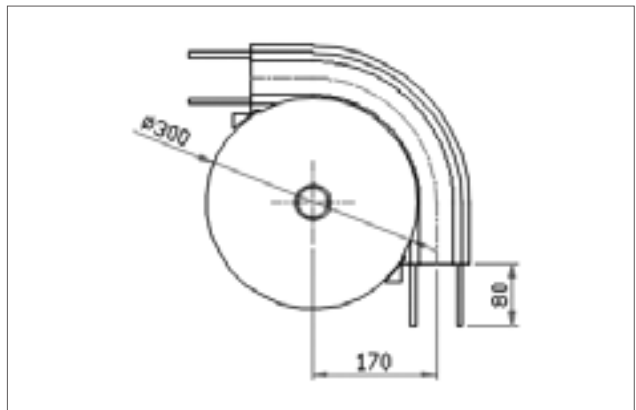


Wheel bend

Reference	Material
HMBH 45R170	Aluminium & P.E



Reference	Material
HMBH 90R170	Aluminium & P.E



Reference	Material
HMBH 180R170	Aluminium & P.E

