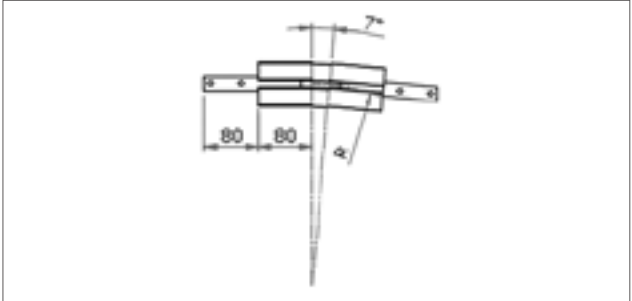
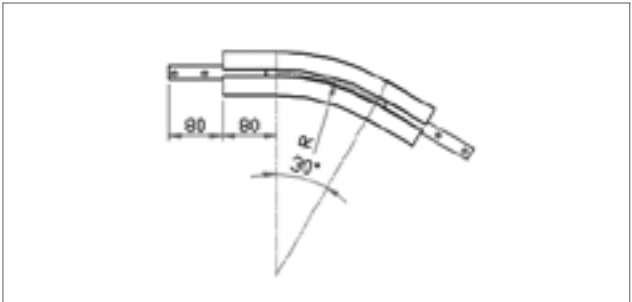


Vertical bend

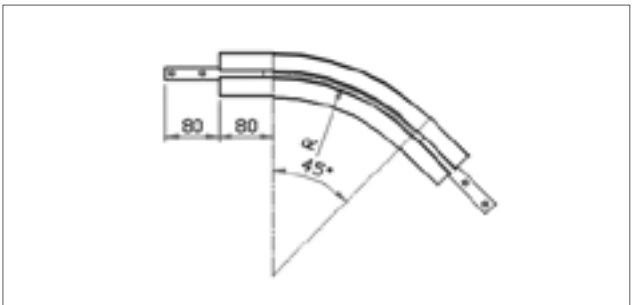
Reference	Material
HMBV 5R400	Aluminum
HMBV 7R400	



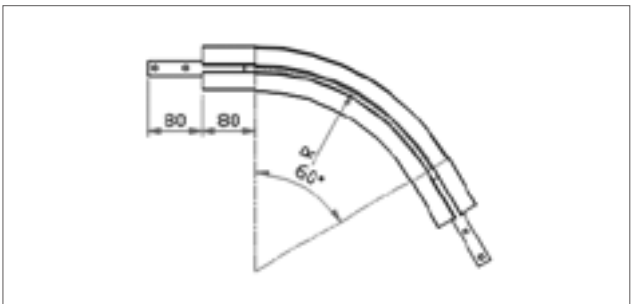
Reference	Material
HMBV 15R400	Aluminum
HMBV 30R400	



Reference	Material
HMBV 45R500	Aluminum
HMBV 45R1000	



Reference	Material
HMBV 60R500	Aluminum
HMBV 60R1000	



Reference	Material
HMBV 90R500	Aluminum
HMBV 90R1000	

