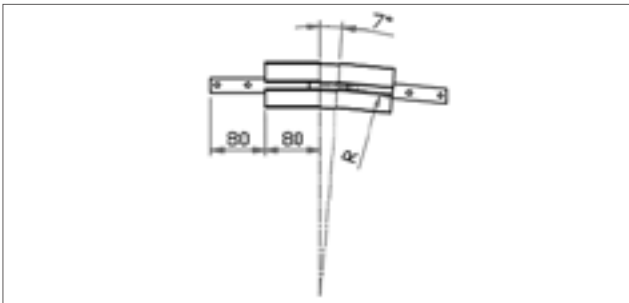
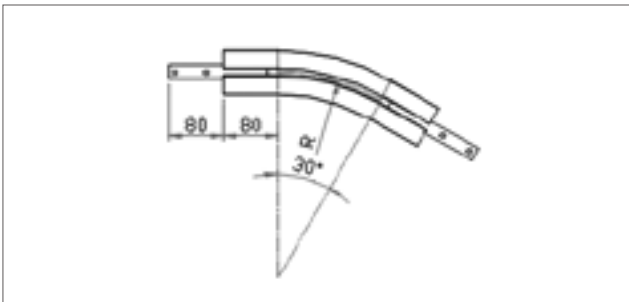


Vertical bend

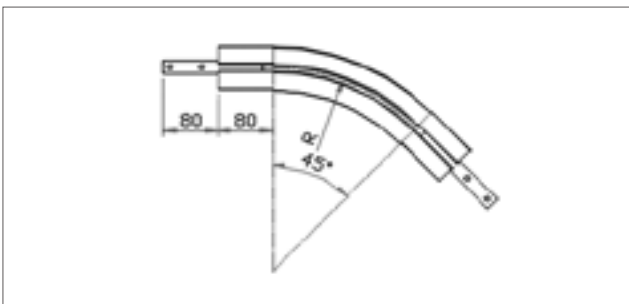
Reference	Material
HLBV 5R300	Aluminum
HLBV 7R300	



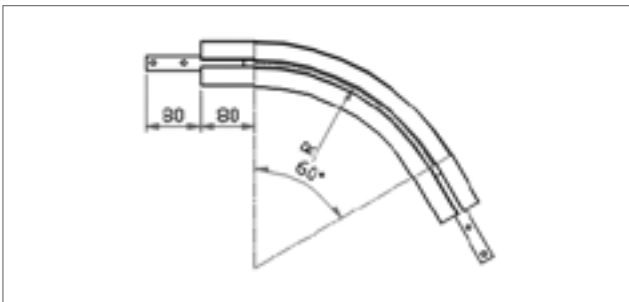
Reference	Material
HLBV 15R300	Aluminum
HLBV 30R300	



Reference	Material
HLBV 45R500	Aluminum
HLBV 45R1000	



Reference	Material
HLBV 60R500	Aluminum
HLBV 60R1000	



Reference	Material
HLBV 90R500	Aluminum
HLBV 90R1000	

