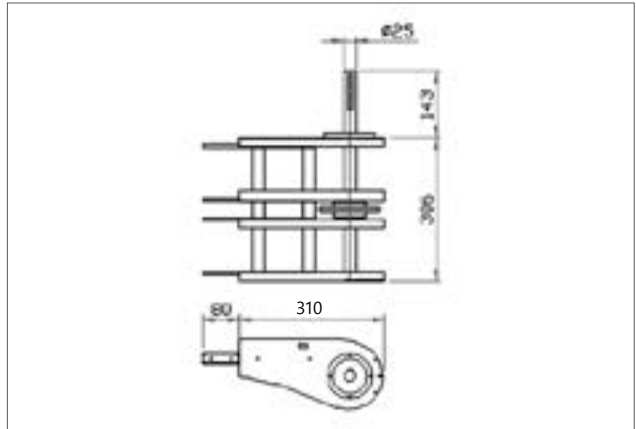


# End drive unit

Reference	Material	Motor Position
HBEB300R	Aluminum & P.E	Right
HBEB300L		Left



Reference	Material	Motor Position
HBEB400R	Aluminum & P.E	Right
HBEB400L		Left

