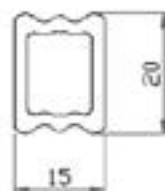


Guide rail

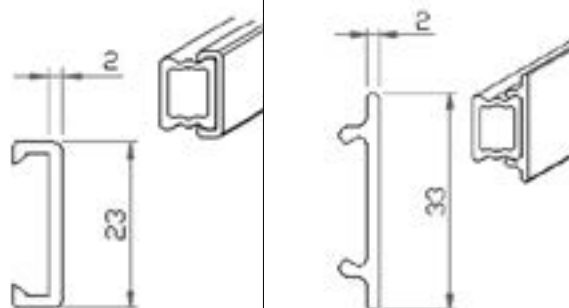
Guide beam

Reference	Material
HARS 3x15	Aluminum



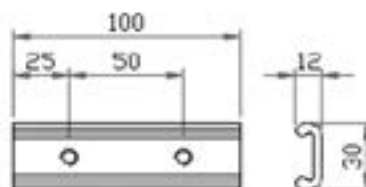
Guide beam cover

Reference	Material
HART 23	HDPE
HART 33	



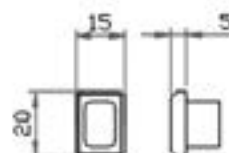
Guide connector

Reference	Material
HARJ 100	Aluminum



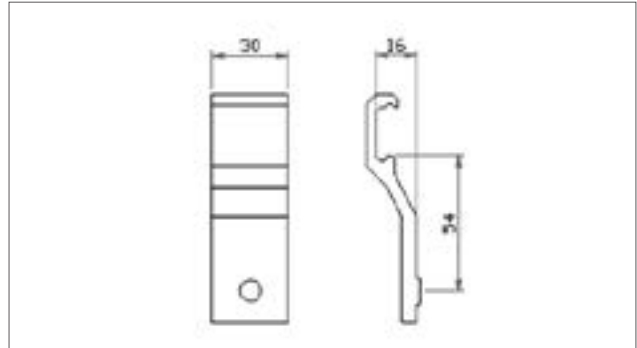
Guide rail end cap

Reference	Material
HARE 15 (End cap)	P.E

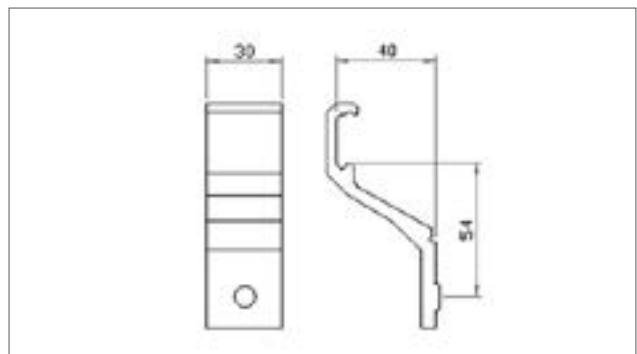


Fixed guide bracket

Reference	Material
HARB 16x54	Aluminum

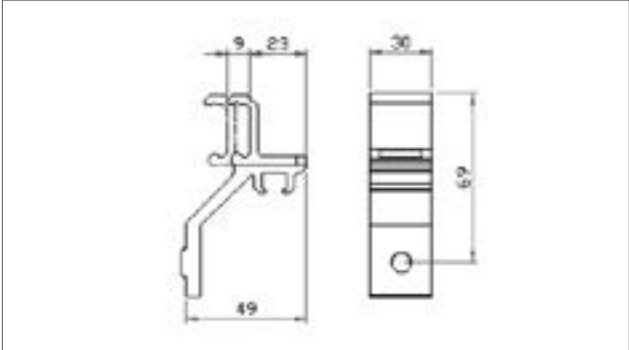


Reference	Material
HARB 40x54	Aluminum

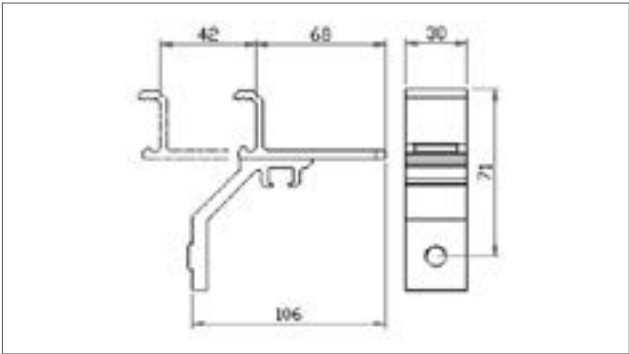


Adjustable guide bracket

Reference	Material
HARA 26x9x45	Aluminum

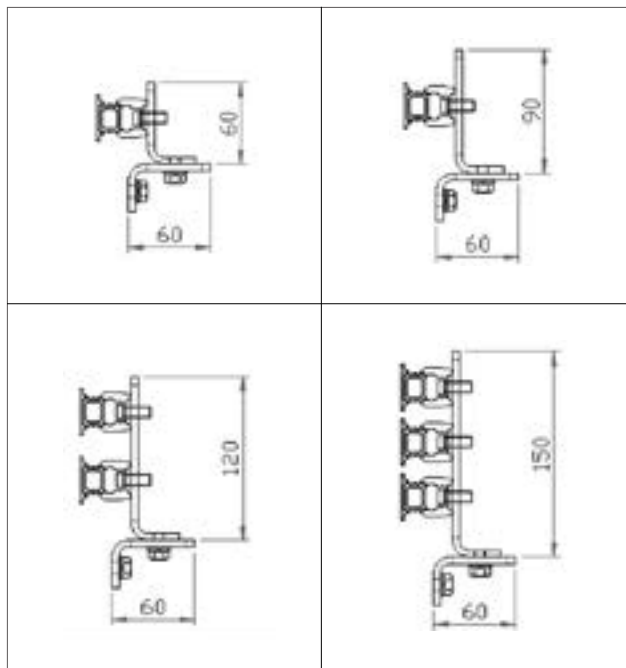


Reference	Material
HARA 26x39x45	Aluminum

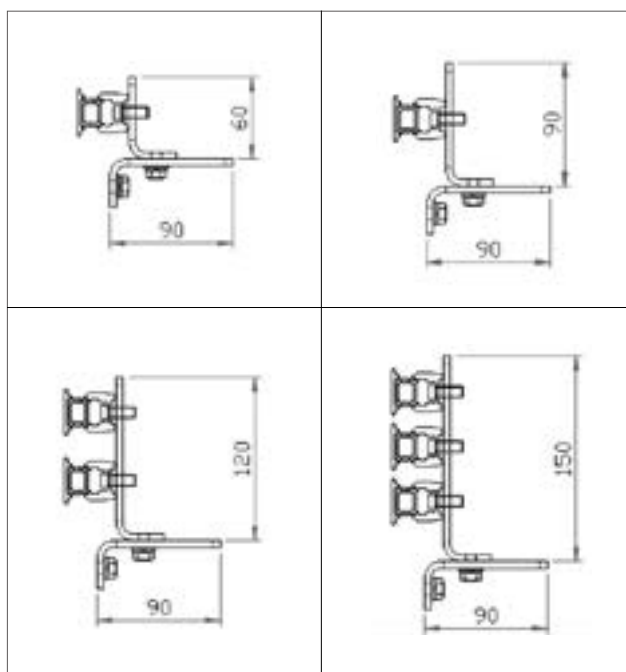


Adjustable guide bracket

Reference	Material
HASA 60x60	SUS
HASA 60x90	
HASA 60x120	
HASA 60x150	

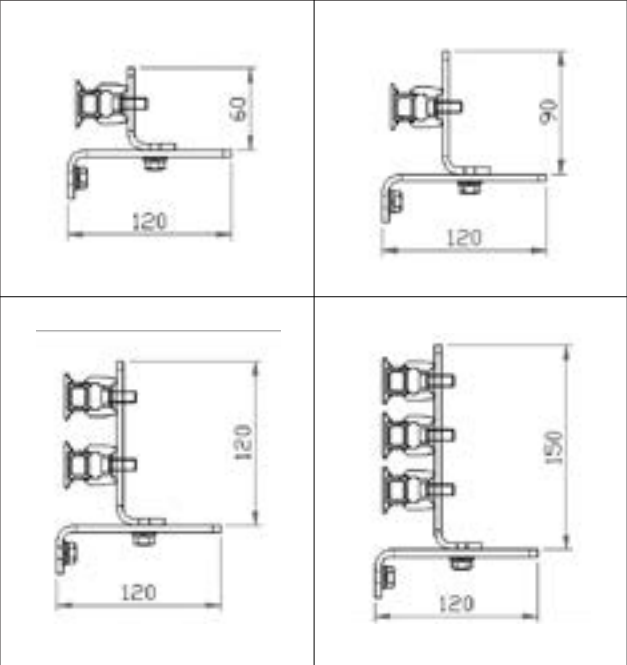


Reference	Material
HASB 90x60	SUS
HASB 90x90	
HASB 90x120	
HASB 90x150	

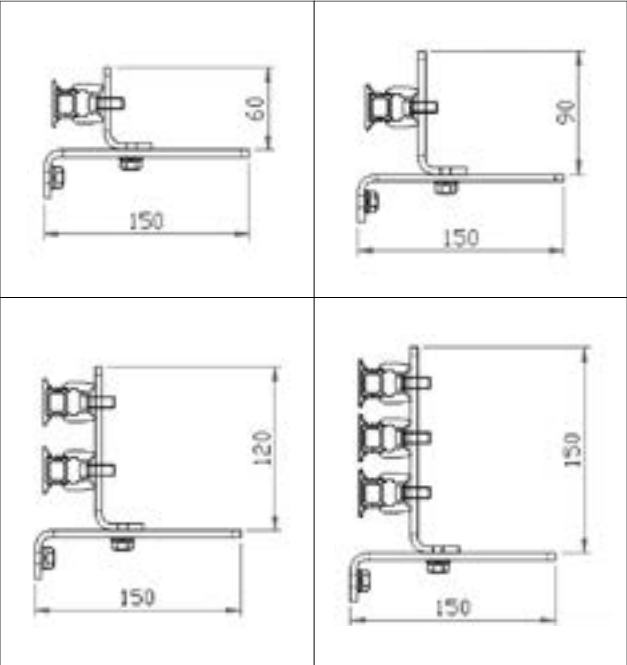


Adjustable guide bracket

Reference	Material
HASC 120x60	SUS
HASC 120x90	
HASC 120x120	
HASC 120x150	



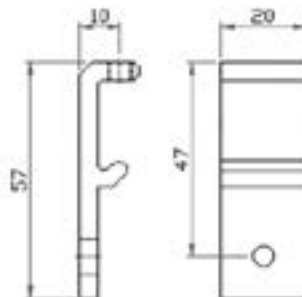
Reference	Material
HASD 150x60	SUS
HASD 150x90	
HASD 150x120	
HASD 150x150	



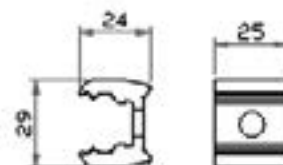
Built-up guide rail clamp

Guide rail bracket

Reference	Material
HARC 20	Aluminum



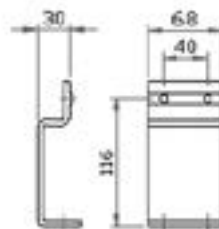
Reference	Material
HARK	Aluminum



Conveyor beam support bracket

Crossing support beam

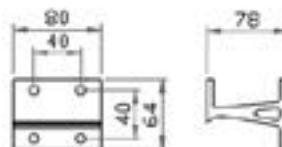
Reference	Material
HACT 30	Aluminum



Conveyor beam support bracket

Vertical support beam

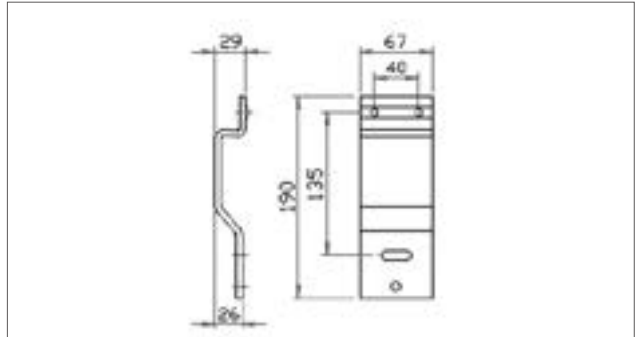
Reference	Material
HACU 78	Aluminum



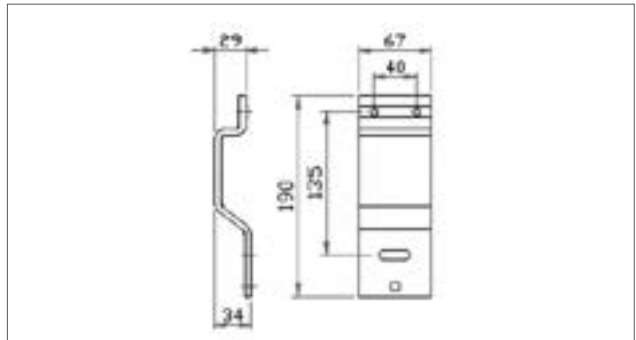
Conveyor beam support bracket

Vertical support beam

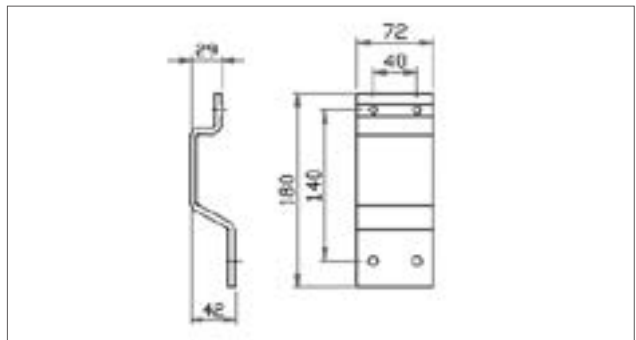
Reference	Material
HACS 26	Aluminum



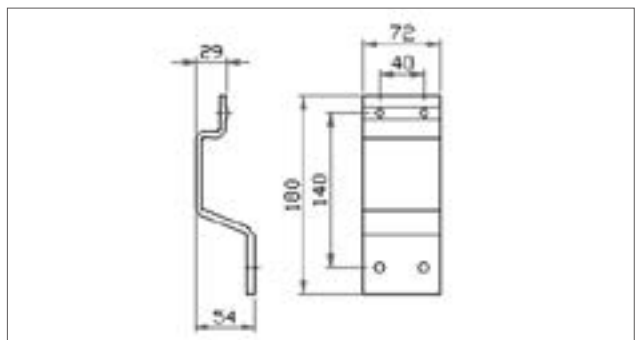
Reference	Material
HACS 34	Aluminum



Reference	Material
HACS 42	Aluminum

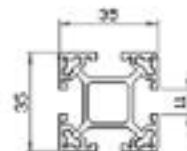


Reference	Material
HACS 54	Aluminum

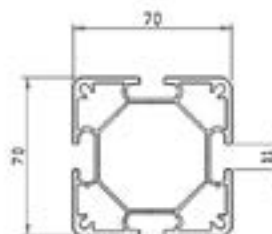


Support beam

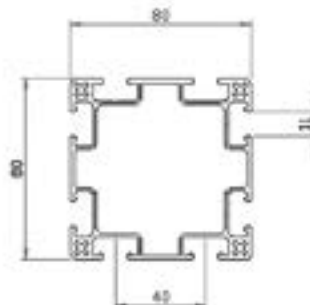
Reference	Material
HCBM 3x35	Aluminum



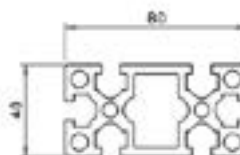
Reference	Material
HCBM 3x70	Aluminum



Reference	Material
HCBM 3x80	Aluminum

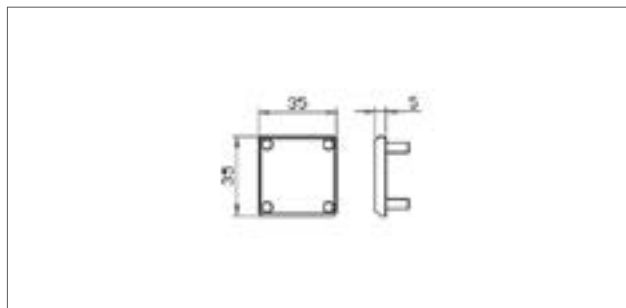


Reference	Material
HCBM 40x80	Aluminum

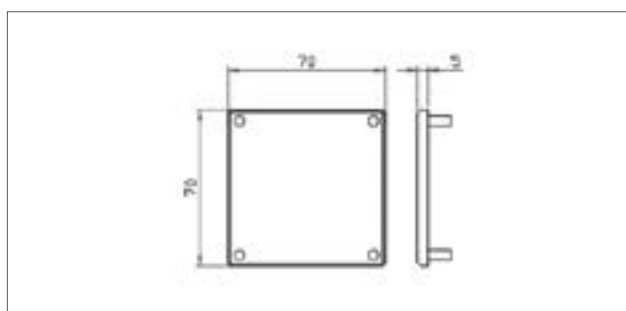


End cap

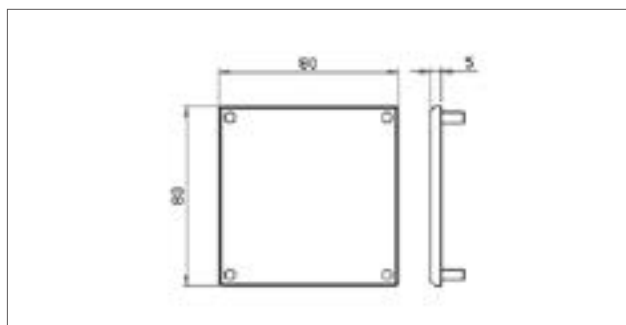
Reference	Material
HCBE 35 (End cap)	P.E



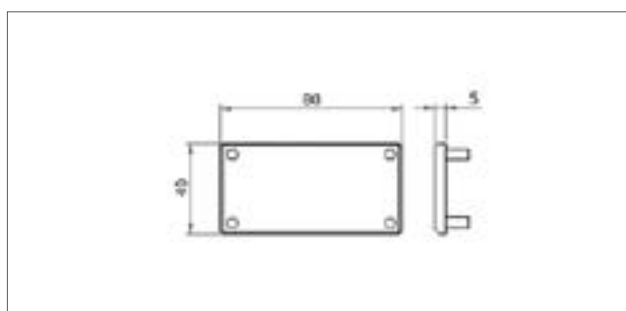
Reference	Material
HCBE 70 (End cap)	P.E



Reference	Material
HCBE 80 (End cap)	P.E

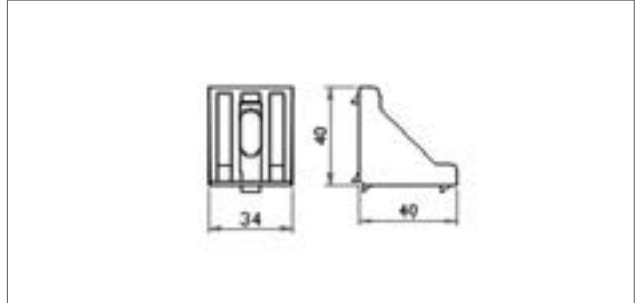


Reference	Material
HCBE 40x80 (End cap)	P.E

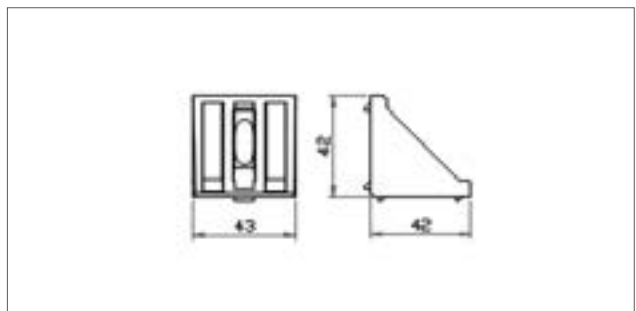


Angle bracket - connector

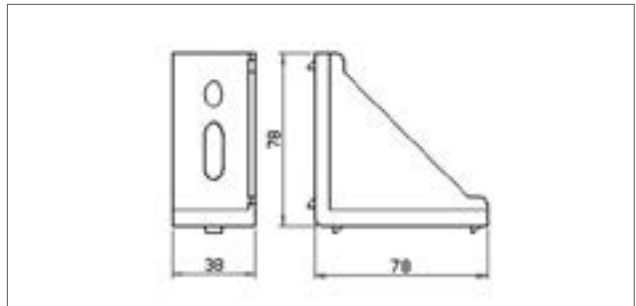
Reference	Material
HCFA 40	Aluminum



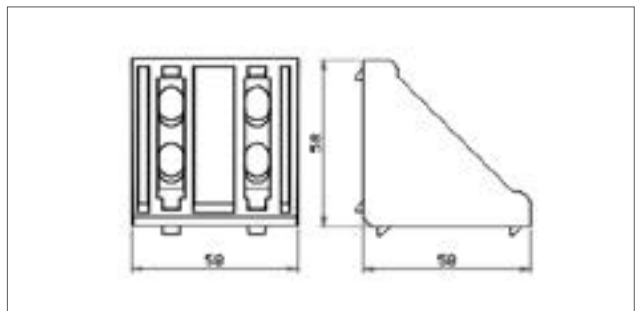
Reference	Material
HCFA 44B	Aluminum



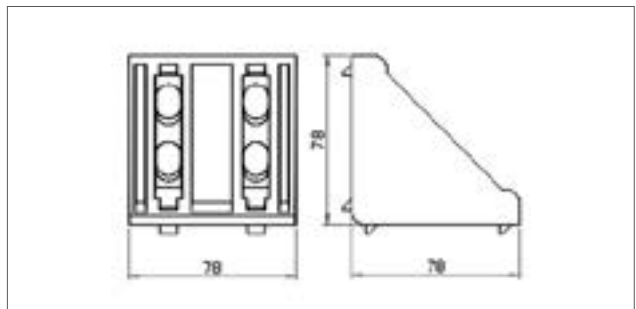
Reference	Material
HCFA 78B	Aluminum



Reference	Material
HCFA 58A	Aluminum

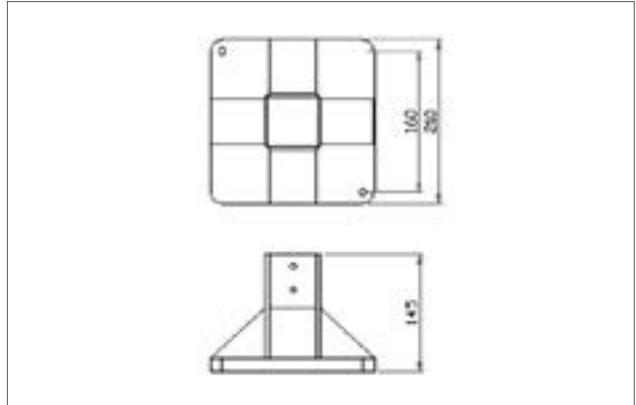


Reference	Material
HCFA 78A	Aluminum

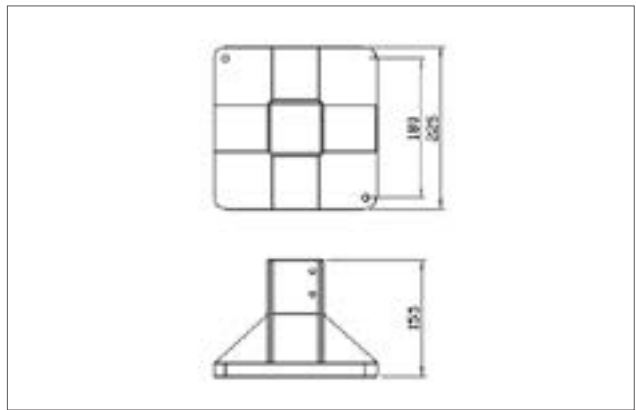


Foot base

Reference	Material
HCFF 70x210	Aluminum

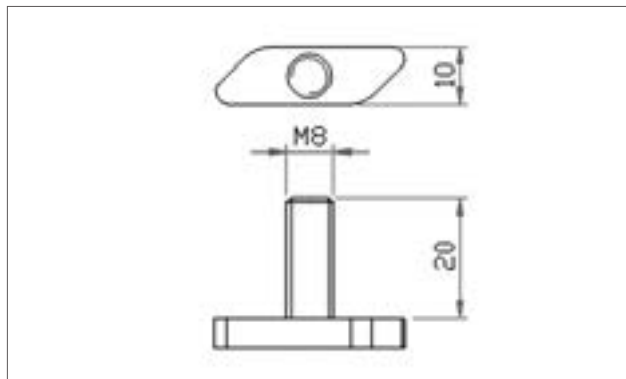


Reference	Material
HCFF 80x225	Aluminum



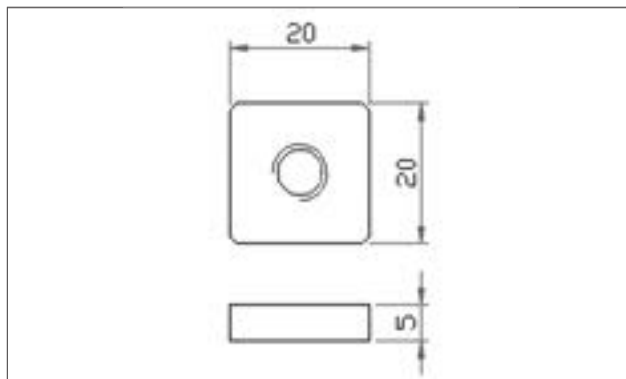
T Bolt - connector

Reference	Material	Length
HCAT20	Steel	20mm
HCST20	SUS	25mm



Nut - connector

Reference	Material	Remarks
HCAQ6	Steel	M6
HCAQ8		M8



Reference	Material	Remarks
HCAN8	Steel	M8
HCSN8	SUS	

