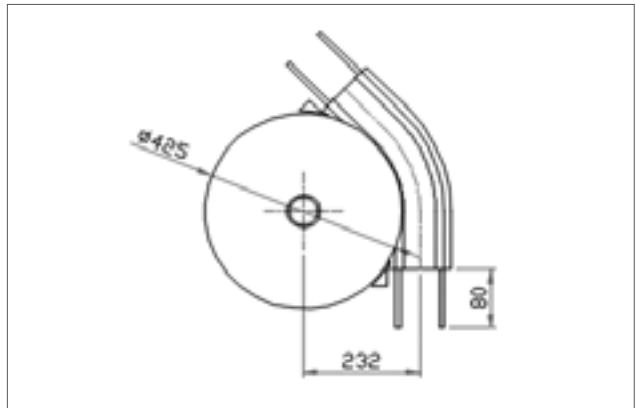
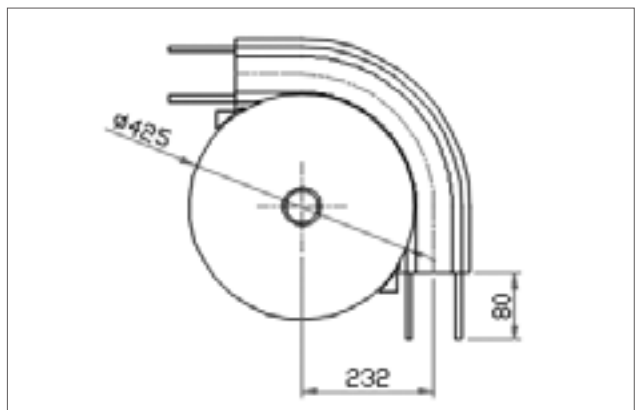


Wheel bend

Reference	Material
HWBH 45R232	Aluminium & P.E



Reference	Material
HWBH 90R232	Aluminium & P.E



Reference	Material
HWBH 180R232	Aluminium & P.E

