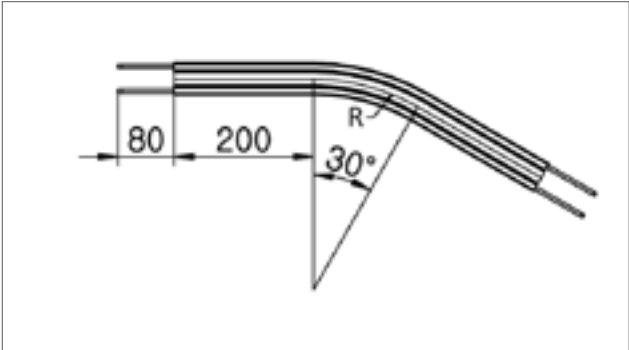
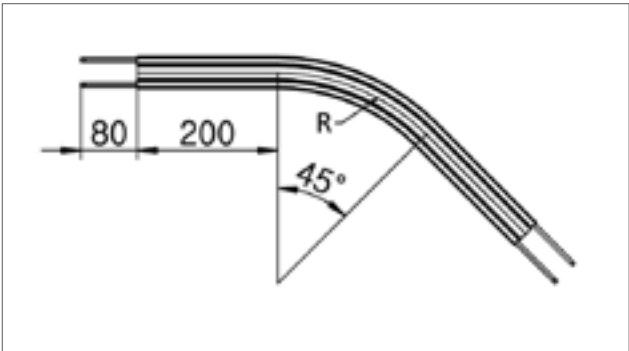


Horizontal bend

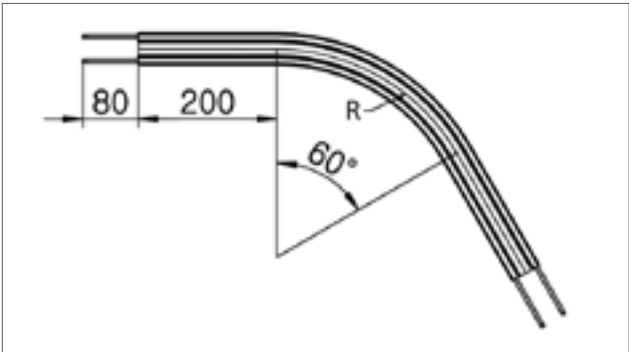
Reference	Material
HSBP 30R500	Aluminum
HSBP 30R700	
HSBP 30R1000	



Reference	Material
HSBP 45R500	Aluminum
HSBP 45R700	
HSBP 45R1000	



Reference	Material
HSBP 60R500	Aluminum
HSBP 60R700	
HSBP 60R1000	



Reference	Material
HSBP 90R500	Aluminum
HSBP 90R700	
HSBP 90R1000	

