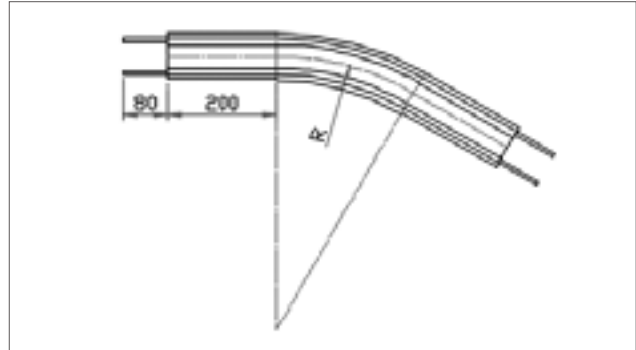
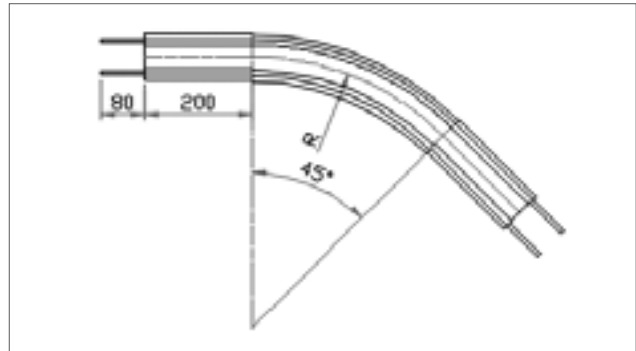


Horizontal bend

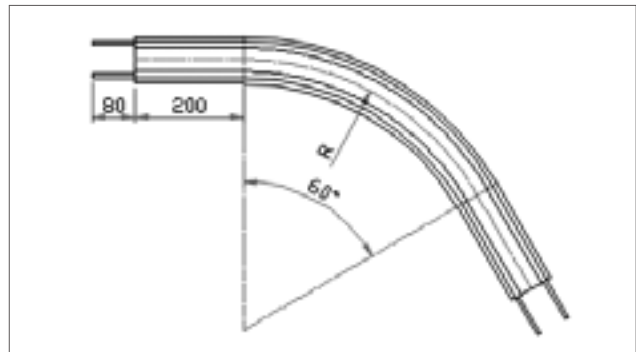
Reference	Material
HMBP 30R500	Aluminum
HMBP 30R700	
HMBP 30R1000	



Reference	Material
HMBP 45R500	Aluminum
HMBP 45R700	
HMBP 45R1000	



Reference	Material
HMBP 60R500	Aluminum
HMBP 60R700	
HMBP 60R1000	



Reference	Material
HMBP 90R500	Aluminum
HMBP 90R700	
HMBP 90R1000	

