

End drive unit

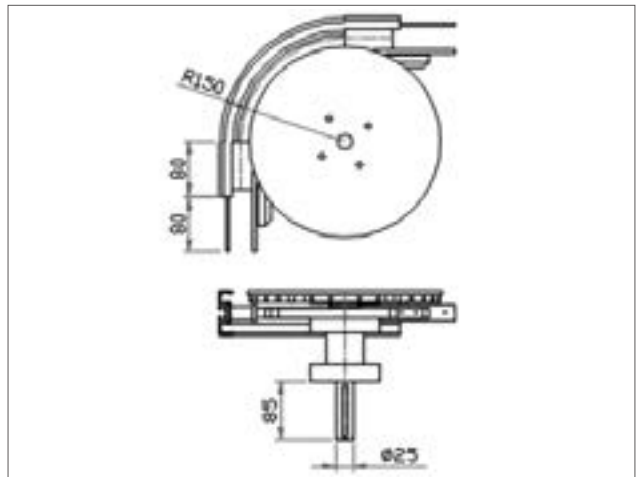
Reference	Material	Motor Position
HLEBR	Aluminum & P.E	Right
HLEBL		Left

Intermediate drive unit

Reference	Material	Motor Position
HLERR	Aluminum & P.E	Right
HLERL		Left

Horizontal bend drive unit

Reference	Material	Motor Position
HLEW 90R150	Aluminum & P.E	Bottom



Reference	Material	Motor Position
HLEW 180R150	Aluminum & P.E	Bottom

