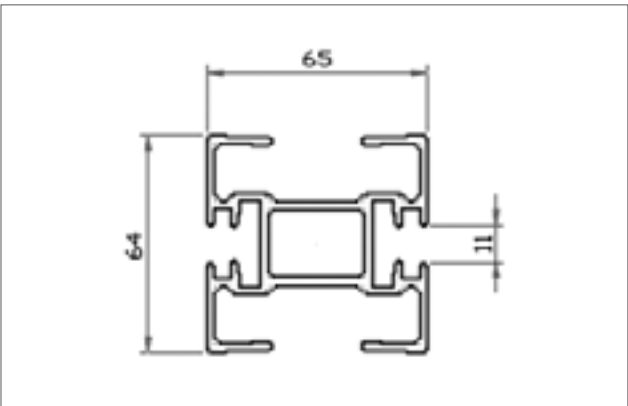


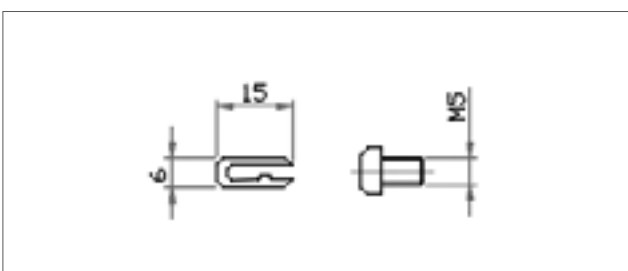
Conveyor beam

Reference	Material	Length(m)
HLCB 3	Aluminum	3
HLCB L		Length to order



Slide rails

Reference	Material	Length(m)
HSCR 30	HDPE	30
HSAG 5		Plastic bolt



Connecting strip

Reference	Material
HSCJ 6x130	Aluminium

