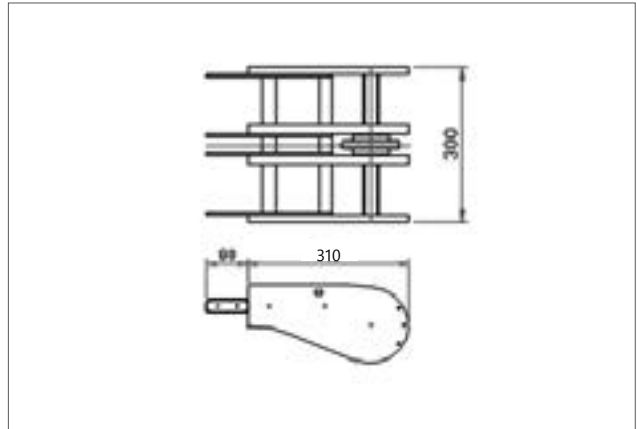


Idler unit

Reference	Material
HBEJ300	Aluminium & P.E



Reference	Material
HBEJ400	Aluminium & P.E

