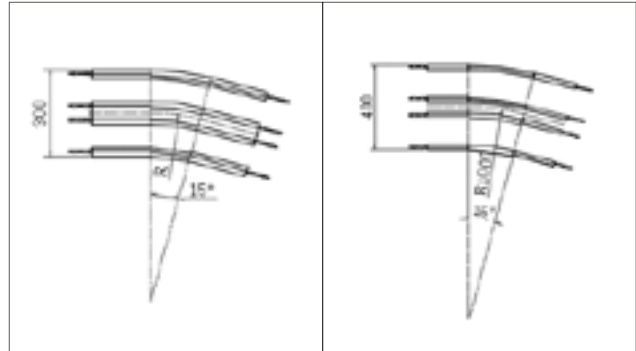
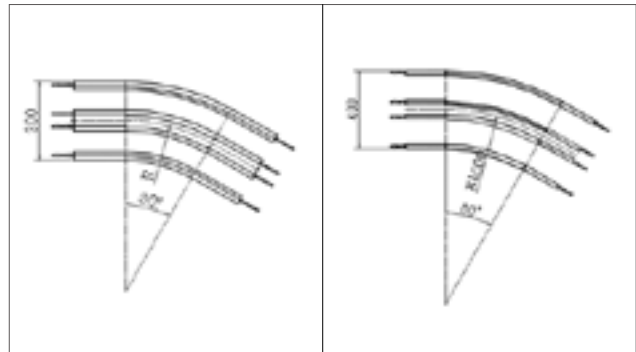


Horizontal bend

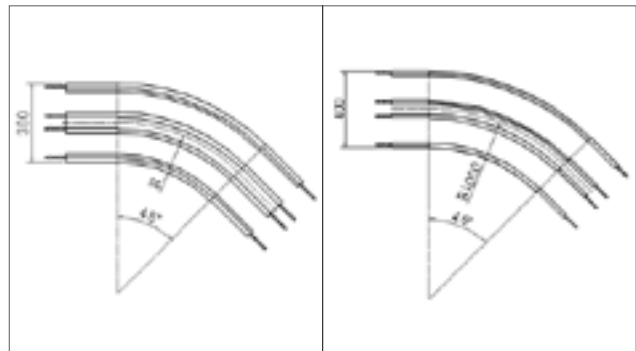
Reference	Material
HBBP15R650	Aluminium
HBBP15R1000	Aluminium



Reference	Material
HBBP30R650	Aluminium
HBBP30R1000	Aluminium



Reference	Material
HBBP45R650	Aluminium
HBBP45R1000	Aluminium



Reference	Material
HBBP90R650	Aluminium
HBBP90R1000	Aluminium

